

Tous droits strictement réservés. Reproduction ou communication a des tiers interdite sous quelque forme que ce soit sans autorisation écrite du propriétaire. Property of FCI. Droits de reproduction FCI.

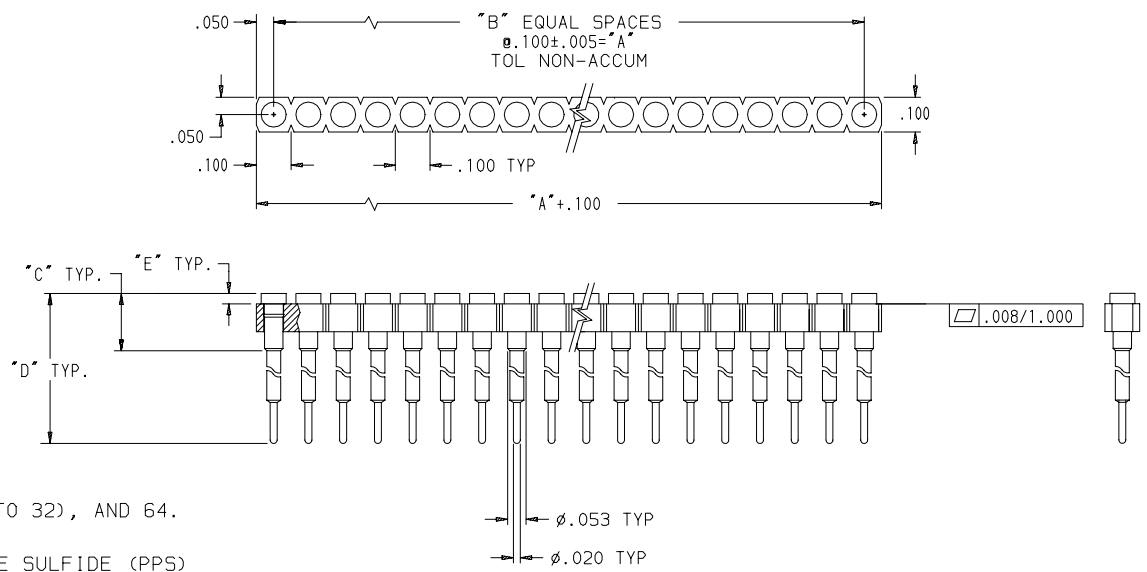
FCI

ALL rights strictly reserved. Reproduction or issue to third parties in any form whatever is not permitted without written authority from the proprietor. Property of FCI. Copyright FCI.

TABLE 1: TIN LEAD VERSION				TABLE 2 CONTACTS	
[XXX]B	"C" DIM.	"D" DIM.	"E" DIM.	CLIP PLATING	SHELL PLATING
001B	.165	.290	.01	30 μ" GOLD OVER 50 μ" NICKEL	200 μ" TIN/LEAD OVER 100 μ" NICKEL
002B	.165	.290	.01	30 μ" GOLD OVER 50 μ" NICKEL	10 μ" GOLD OVER 100 μ" NICKEL
011B	.165	.290	.01	10 μ" GOLD OVER 50 μ" NICKEL	200 μ" TIN/LEAD OVER 100 μ" NICKEL
014B	.165	.290	.01	150 μ" TIN/LEAD OVER 50 μ" NICKEL	200 μ" TIN/LEAD OVER 100 μ" NICKEL
041B	.230	.355	.01	30 μ" GOLD OVER 50 μ" NICKEL	200 μ" TIN/LEAD OVER 100 μ" NICKEL

TABLE 2: LEAD FREE VERSION				TABLE 2 CONTACTS	
[XXX]BLF	"C" DIM.	"D" DIM.	"E" DIM.	CLIP PLATING	SHELL PLATING
001BLF	.165	.290	.01	30 μ" GOLD OVER 50 μ" NICKEL	200 μ" TIN OVER 100 μ" NICKEL
002BLF	.165	.290	.01	30 μ" GOLD OVER 50 μ" NICKEL	10 μ" GOLD OVER 100 μ" NICKEL
011BLF	.165	.290	.01	10 μ" GOLD OVER 50 μ" NICKEL	200 μ" TIN OVER 100 μ" NICKEL
014BLF	.165	.290	.01	150 μ" TIN OVER 50 μ" NICKEL	200 μ" TIN OVER 100 μ" NICKEL
041BLF	.230	.355	.01	30 μ" GOLD OVER 50 μ" NICKEL	200 μ" TIN OVER 100 μ" NICKEL

TABLE 1			
SIP-1 X [] - [XXX]B (LF)	PART NUMBER	DIMENSION	
		"A"	"B"
	01	0	0
	02	.100	1
	03	.200	2
	04	.300	3
	05	.400	4
	06	.500	5
	07	.600	6
	08	.700	7
	09	.800	8
	10	.900	9
	11	1.000	10
	12	1.100	11
	13	1.200	12
	14	1.300	13
	15	1.400	14
	16	1.500	15
	17	1.600	16
	18	1.700	17
	19	1.800	18
	20	1.900	19
	21	2.000	20
	22	2.100	21
	23	2.200	22
	24	2.300	23
	25	2.400	24
	26	2.500	25
	27	2.600	26
	28	2.700	27
	29	2.800	28
	30	2.900	29
	31	3.000	30
	32	3.100	31
	64	6.300	63



NOTES:

- NUMBER OF CONTACTS PER ROW (01 TO 32), AND 64.
- MATERIAL:
GLASS REINFORCED POLYPHENYLENE SULFIDE (PPS)
RATED UL 94V-0, COLOR BLACK.
- CONTACT MATERIAL:
OUTER SHELL: BRASS ALLOY 360, 1/2 HARD PER QQ-B-626.
INNER CONTACT: BERYLLIUM COPPER, ALLOY 172 PER QQ-C-533.
- CONTACT PLATING:
TIN/LEAD OR LEAD-FREE PER MIL-P-81728 TYPE 1,
NICKEL PER QQ-N-290.
GOLD PER MIL-G-45204, TYPE 1, GRADE C.
- RECOMMENDED PCB THRU HOLE DIA. .026±.003.

6. NOTE RoHS INFORMATION

- The "LF" products meet european union Directives and other country regulations as described in GS-22-008.
- The housing will withstand exposure to 260°C peak temperature for 20 seconds in a wave solder application with a 1.6mm minimum thick circuit board. See application notes/procedures if they are available.
- Packaging spec: see GS-14-920

LEAD FREE PART NUMBER (see tables) SIP-1 X [] - [XXX]BLF		TIN LEAD PART NUMBER (see tables) SIP-1 X [] - [XXX]B		American view	
www.fciconnect.com		tolerance ISO 406 ISO 1101	projection inch	Scale 1:1	
Dr	D. WOLFORD	01/10/00	Product family	PGA	size
Eng	A. VASBINDER	01/10/00	Spec ref	-	A3
Chr	A. VASBINDER	01/10/00	Material	SEE NOTES	ECN
Appr	A. VASBINDER	01/10/00	LS06-0004		
title		SINGLE ROW		Rev.	
catalog no		SIP SOCKET		J	
dwg no		58803		sheet # of #	
CUSTOMER COPY					

Ltr	ecn no	dr	date
E	V12453	CRG	10/24/01
F	V20347	CRG	02/22/02
G	V05-0037	DAI	04/08/05
H	V05-0424	TAB	05/10/05
J	LS06-0004	LGO	01/05/05
-	-	-	-
-	-	-	-